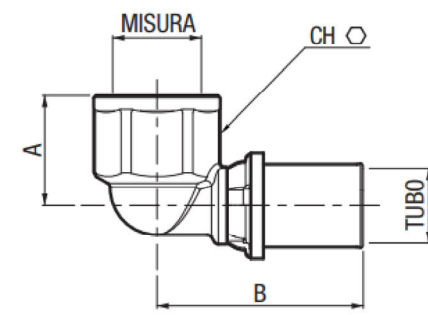


GP 2600
RACCORDI

Raccordo a gomito attacco femmina, nichelato.



| CODICE | Misura | Tubo | A mm | B mm | Ch mm | Conf. pz/sc | Master pz/sc |
|---------------------|------------|--------|---------|---------|----------|----------------|-----------------|
| 9422R802 | 16 x 1/2" | 16x2 | 23,5 | 44 | 24 | 10/80 | 320 |
| 9422R804 | 20 x 1/2" | 20x2 | 23,5 | 44 | 24 | 10/60 | 240 |
| 9422R807 | 20 x 3/4" | 20x2 | 28 | 48 | 30 | 10/50 | 200 |
| 9422R809 | 26 x 3/4" | 26x3 | 28 | 48 | 30 | 5/35 | 140 |
| 9422R814 | 32 x 1" | 32x3 | 33 | 53 | 38 | 5/25 | 100 |
| NEW 9422R813 | 40 x 1"1/4 | 40x3,5 | 39 | 68,2 | 46 | 1/12 | 48 |
| NEW 9422R815 | 50 x 1"1/2 | 50x4 | 44 | 73 | 46 | 1/8 | 32 |
| NEW 9422R816 | 63 x 2" | 63x4,5 | 54 | 81 | 65 | 1/6 | 24 |
| NEW 9422S900 | 75 x 2"1/2 | 75x5 | 66 | 100,5 | 84 | 1/2 | 8 |

Filettature: Rp (UNI EN 10226-1).