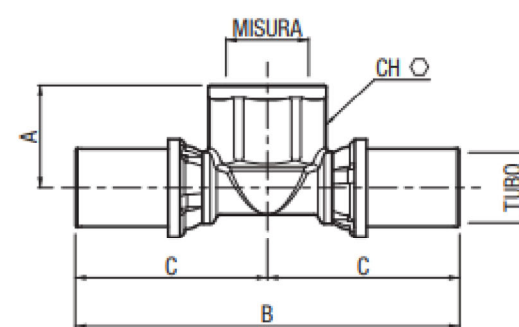


GP 2600
RACCORDI

Raccordo a T, intermedio con derivazione femmina, nichelato.



CODICE	Misura	Tubo	A mm	B mm	C mm	Ch mm	Conf. pz/sc	Master pz/sc
9425R817	16 x 1/2" x 16	16x2	23,5	88	44	24	10/50	200
9425R820	16 x 3/4" x 16	16x2	28	96	48	30	5/30	160
9425R819	20 x 1/2" x 20	20x2	23,5	88	44	24	5/40	160
9425R822	20 x 3/4" x 20	20x2	28	96	48	30	5/30	120
9425R823	26 x 3/4" x 26	26x3	28	96	48	30	5/20	80
9425R824	32 x 3/4" x 32	32x3	33	106	53	38	5/15	60
9425R826	32 x 1" x 32	32x3	33	106	53	38	5/15	60
9425R825	40 x 3/4" x 40	40x3,5	35,5	130	65	38	1/10	40
9425R827	40 x 1" x 40	40x3,5	39	130	65	38	1/10	40
9425R839	40 x 1"1/4 x 40	40x3,5	48,5	140	71,5	47	1/6	24
9425R818	50 x 3/4" x 50	50x4	40	133	66,5	38	1/6	24
9425R828	50 x 1" x 50	50x4	41	133	66,5	38	1/6	24
9425R840	50 x 1"1/4 x 50	50x4	48,5	143	71,5	47	1/6	24
9425R821	63 x 1" x 63	63x4,5	46,5	143	71,5	47	1/4	16
9425R862	63 x 1"1/4 x 63	63x4,5	48,5	143	71,5	47	1/4	16
9425S900	75 x 1" x 75	75x5	56	201	100,5	-	1/2	8

Filettature: Rp (UNI EN 10226-1).