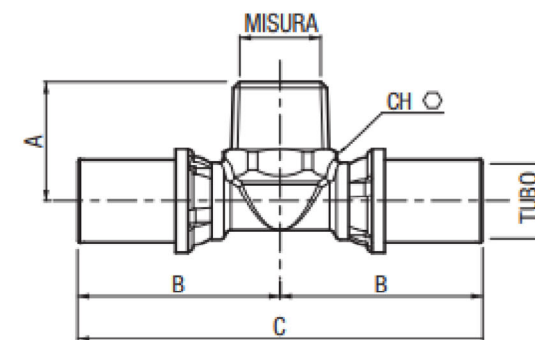


GP 2601  
RACCORDI LBP



Raccordo a T intermedio maschio, nichelato.



<b>CODICE</b>	<b>Misura</b>	<b>Tubo</b>	<b>A mm</b>	<b>B mm</b>	<b>C mm</b>	<b>Ch mm</b>	<b>Conf. pz/sc</b>	<b>Master pz/sc</b>
<b>7431R817</b>	16 x 1/2" x 16	16x2	26	44	88	22	10/50	200
<b>7431R819</b>	20 x 1/2" x 20	20x2	26	44	88	22	10/40	160
<b>7431R822</b>	20 x 3/4" x 20	20x2	31,5	48	96	27	10/30	120
<b>7431R823</b>	26 x 3/4" x 26	26x3	31,5	52,5	105	27	5/20	80

Filettature: R (UNI EN 10226-1).