

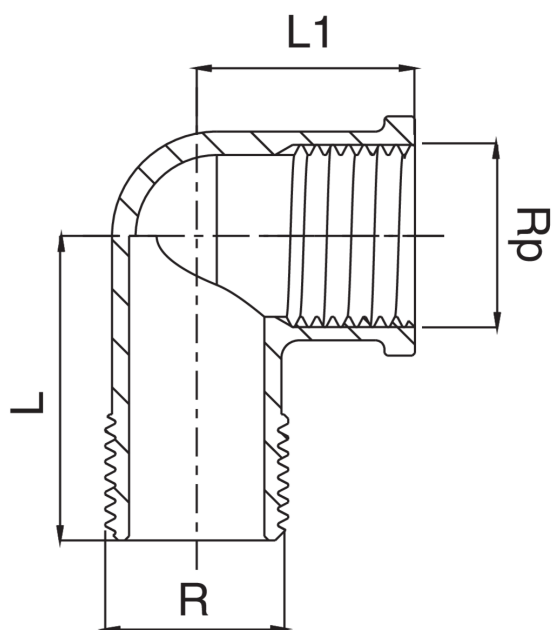
OT5092

Gomito filetto femmina/maschio.



Specifiche tecniche

Disegno



Tabella

RP X R	BAG	MASTER BOX	CODICE	L	L1
1/4" x 1/4"	10	200	OT5092A14A14000	28	19
3/8" x 3/8"	10	150	OT5092A38A38000	29	21
1/2" x 1/2"	10	100	OT5092A12A12000	35	25
1/2" x 3/4"	10	200	OT5092A12A34000	37,5	26
3/4" x 3/4"	5	70	OT5092A34A34000	40	27
1" x 1"	5	40	OT5092B01B01000	48	32
1"1/2 x 1"1/2	5	15	OT5092B12B12000	60	60
1"1/4 x 1"1/4	5	25	OT5092B14B14000	55	40
2" x 2"	1	10	OT5092C02C02000	71	71
2"1/2 x 2"1/2	1	4	OT5092C12C12000	82	82
3" x 3"	1	3	OT5092D03D03000	94	94

Applicazioni



DRINKING
WATER



HEATING



HVAC



GAS



COMPRESSED
AIR



SOLAR



FIREFIGHTING