

Description

Accessories for thermometers.



G

Pocket for thermometers.

Type	Part No.	L (mm)	Connec.	Weight (kg)	Box/Master	Min. order
G-30 for TB	PGUAOTT011	30	G3/8B	0.029	1/1	1
G-50 for TB	PGUAOTT002	50	G1/2B	0.042	1/1	1
G-100 for TB	PGUAOTT005	100	G1/2B	0.051	1/1	1
G-150 for TB	PGUAOTT006	150	G1/2B	0.057	1/1	1
G-200 for TB	PGUAOTT007	200	G1/2B	0.080	1/1	1
G-300 for TB	PGUAOTT008	300	G1/2B	0.091	1/1	1
G-50/SPESEL for TB	PGUAOTT003*	50	G1/2B	0.042	1/1	1
G-50 a.pressione for TBR	PGUAOTT019	50	G1/2B	0.035	1/1	1
G-75 a.pressione for TBR	PGUAOTT023	75	G1/2B	0.040	1/1	1
G-100 a.pressione for TBR	PGUAOTT020	100	G1/2B	0.050	1/1	1

*Phasing out

Features

Materials

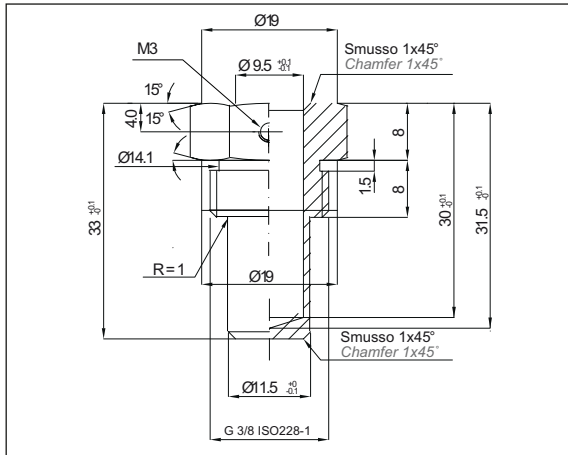
Body	Brass up to length 100 mm, above brass-cu-alloy 19 mm Ø 21 mm flats with fixing screw (TBR with o-ring fixing, PGUAOTT003 without screw)
Thread connection	Brass - ISO 228-1

Technical features

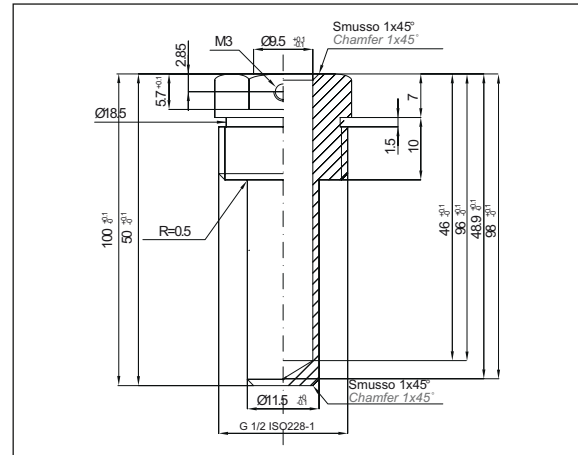
Temperature limits	Max. 500°C
Working pressure	PN 10 max

Overall dimensions (mm)

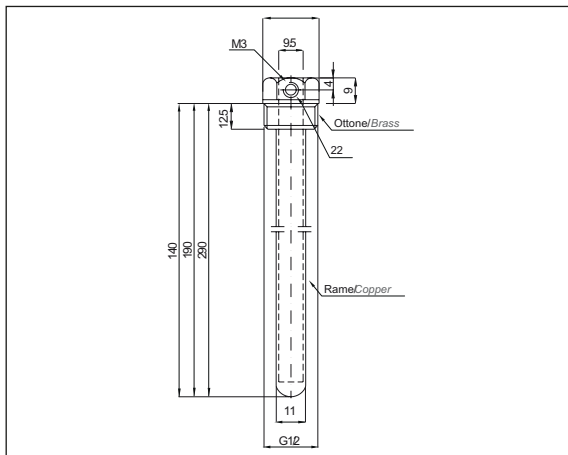
G-30 for TB



G-50-100 for TB



G-150-200-300 for TB



G-50-75-100 for TBR

