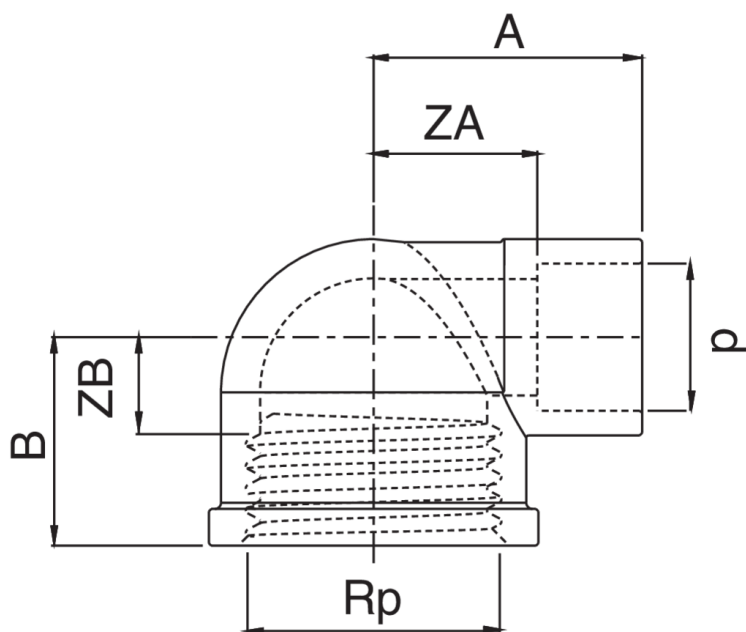




Gomito 90° F/filetto femmina.

Specifiche tecniche

Disegno



Tabella

RP X D	BAG	MASTER BOX	CODICE	A	B	ZA	ZB
3/8" x 10	10	250	RB4090A38010000	19	14	11,2	3
3/8" x 12	10	250	RB4090A38012000	21	17,5	12,4	6,5
3/8" x 15	10	200	RB4090A38015000	25	20	12,4	9
1/2" x 10	10	250	RB4090A12010000	19,5	17	11,7	4
1/2" x 12	10	250	RB4090A12012000	22	17	13,4	4
1/2" x 14	10	200	RB4090A12014000	22	19	11,4	5
1/2" x 15	10	250	RB4090A12015000	22	21,5	11,4	6,5
1/2" x 16	10	200	RB4090A12016000	22	19	11,4	5
1/2" x 18	10	150	RB4090A12018000	25	20,5	12,4	7,5
1/2" x 22	10	100	RB4090A12022000	26,5	23,5	11,1	11,5
3/4" x 15	10	100	RB4090A34015000	26	24	15,4	10
3/4" x 16	10	150	RB4090A34016000	26	25	15,4	7
3/4" x 18	10	100	RB4090A34018000	27	25	14,4	11
3/4" x 22	10	80	RB4090A34022000	31	31	15,6	13
3/4" x 28	10	70	RB4090A34028000	35	28	16,6	14
1" x 22	5	50	RB4090B01022000	41	24,5	25,6	7,5
1" x 28	5	50	RB4090B01028000	38	30,5	19,6	14,5
1" x 35	5	30	RB4090B01035000	41	40	18	20
1"1/4" x 35	10	40	RB4090B14035000	46	36	23	16
1"1/2" x 42	5	30	RB4090B12042000	59	44	32	23

Applicazioni



DRINKING
WATER



HEATING



HVAC



GAS



COMPRESSED
AIR



SOLAR



INDUSTRIAL